

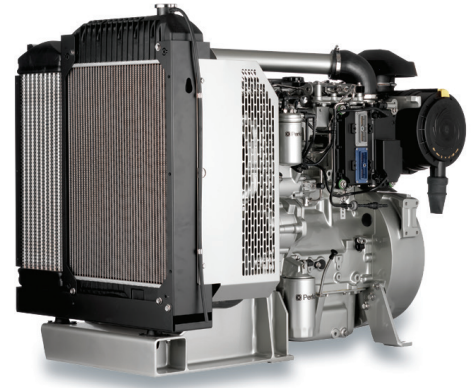
1100 Series 1104D-E44TA Industrial Open Power Unit

90.1-99.7 kW/120-133 bhp

Certified to EU Stage IIIA / U.S. EPA Tier 3 emissions legislation, the Perkins® 1104D-E44TA IOPU is a new addition to the 1100 Series range of IOPU engines. The 1100 Series electronic diesel engines are assembled on a new high technology production line, which makes frequent computerised checks during the production process ensuring high build quality/excellence is maintained.

The 1104D IOPUs have a complete fuel system, air cleaner and radiator fitted as standard along with a choice of mechanical or electronic control system making these the ultimate power solution.

The 1100D range with their wide choice of build options, plus all the features and benefits, present a secure future for all our customers at Stage IIIA / Tier 3 emissions legislation, and is the platform on which the long-term solution to Stage IIIB / Tier 4 legislation will be built.



Powered by your needs

- The 1104D-E44TA IOPU offers a choice of build configurations to match the power needs of customers for a diverse range of applications

State of the art design

- The 1104D-E44TA IOPU incorporates the latest common-rail fuel system technologies with a closely optimised air-management system which is overseen by the latest generation of electronic engine control. This allows the 1104D range to deliver high power density and excellent fuel economy with low exhasut emissions and the minimum of heat rejection

Reduced noise

- Noise minimised at source – engine sound levels have been reduced by 2 dBA
- Reduction in noise suppression costs

Component commonality

- Shared front and rear ends and 'repeated' components – pistons, con rods and valve gear
- Rationalised inventory, streamlined training and consistent serviceability

Lower installation costs

- Virtually identical hook-up points and envelope size as the 1104C-44TA
- Customer enjoys a seamless transition during the emissions changeover process

Lower operating costs

- The 1104D maintains Tier 2/Stage II fuel economy, allowing customers to keep existing fuel tanks
- Service intervals are 500 hours standard
- Perkins comprehensive warranty cover for two years with three years on major engine components
- Low usage warranty package is also available

Product support

- Perkins actively pursues product support excellence by ensuring our distribution network invest in their territory – strengthening relationships and providing more value to you, our customer
- Through an experienced global network of distributors and dealers, fully trained engine experts deliver total service support around the clock, 365 days a year. They have a comprehensive suite of web based tools at their fingertips covering technical information, parts identification and ordering systems, all dedicated to maximising the productivity of your engine
- Throughout the entire life of a Perkins engine, we provide access to genuine OE specification parts and service. We give 100% reassurance that you receive the very best in terms of quality for lowest possible cost .. wherever your Perkins powered machine is operating in the world

Discover more

www.perkins.com
www.perkins.com/esc

www.perkins.com/distributor
to find your local distributor

Net Power kW (bhp)	Engine Speed	Torque Nm (lbf-ft)	Engine Speed	Rating
90.1 (121)	2200	514 (379)	1400	C
99.7 (134)	2200	556 (410)	1400	C

Power for a run-in engine after 60 hours.

Net Intermittent = Intermittent service where maximum power and/or are, cyclic (time at full load not to exceed 50%).

Rating standard ISO/TR 14396.

Photographs are for illustrative purposes only and may not reflect final specification.

All information in this document is substantially correct at time of printing and may be altered subsequently.

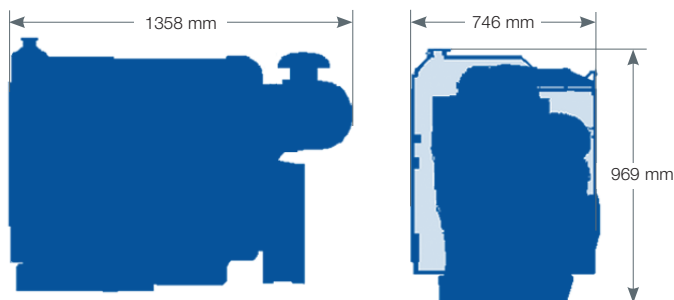
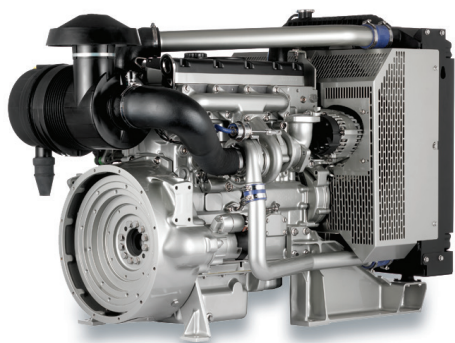
Publication No. PN1907/09/14 Produced in England ©2014 Perkins Engines Company Limited

 **Perkins®**

THE HEART OF EVERY GREAT MACHINE

1100 Series 1104D-E44TA Industrial Open Power Unit

90.1-99.7 kW/120-133 bhp



Standard IOPU specification

Air inlet

- Mounted air filter and turbocharger

Cooling system

- Fan (pusher or puller)
- Fan drive
- Radiator
- Water pump

Electrical equipment

- Alternator (12 or 24 volt)
- Starter motor (12 or 24 volt)

Flywheel and housing

- Flywheel
- SAE 3 flywheel housing

Fuel system

- Fuel filter

Lubrication system

- Oil cooler and filter
- Timing case oil filler

Mountings

- Engine mounting brackets

PTO

- SAE A or SAE B front PTO (142/280 Nm)

Starting aids

- Glow plugs

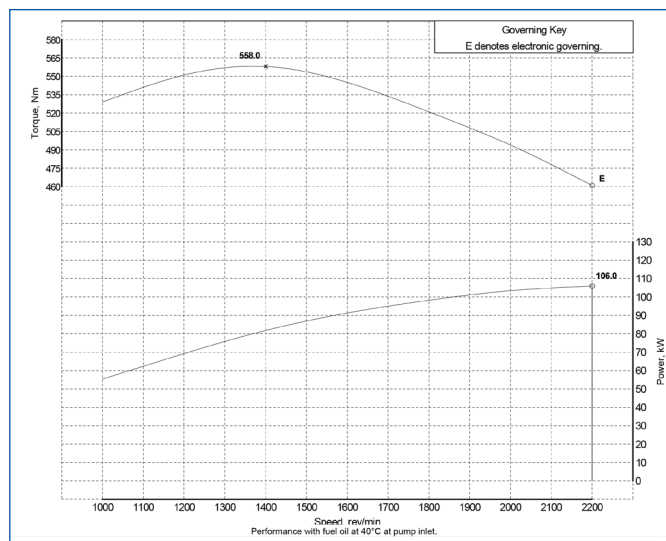
Literature

- User's Handbook

Option groups

The 1104D-E44TA IOPU offers a wide choice of standard build specifications to meet specific customer needs:

- PTO drive adaptors
- Pusher or puller fan
- Air compressor (twin / single)



General data

Number of cylinders	4 in-line
Bore and stroke.....	105 mm x 127 mm (4.1 x 5.0 in)
Displacement	4.4 litres (269 cubic in)
Aspiration	Turbocharged air-to-air aftercooled
Cycle.....	4 stroke
Combustion system.....	Direct injection
Compression ratio	16.2:1
Direction of rotation	Anti-clockwise, viewed on flywheel
Cooling system.....	Liquid
Total lubrication system capacity.....	8.4 litres (2.2 US gals)
Total coolant capacity	17 litres (4.5 US gals)
Dimensions – Length	1358 mm (53.4 in)
Width	746 mm (29.4 in)
Height	969 mm (38.1 in)
Dry weight	594 kg (1309 lb)

Final weight and dimensions will depend on completed specification

Photographs are for illustrative purposes only and may not reflect final specification.

All information in this document is substantially correct at time of printing and may be altered subsequently.
 Publication No. PN1907/09/14 Produced in England
 ©2014 Perkins Engines Company Limited

Perkins Engines Company Limited

Peterborough PE1 5FQ
 United Kingdom
 Telephone +44 (0)1733 583000
 Fax +44 (0)1733 582240

www.perkins.com



THE HEART OF EVERY GREAT MACHINE